
Comfort-Aire®

Century®

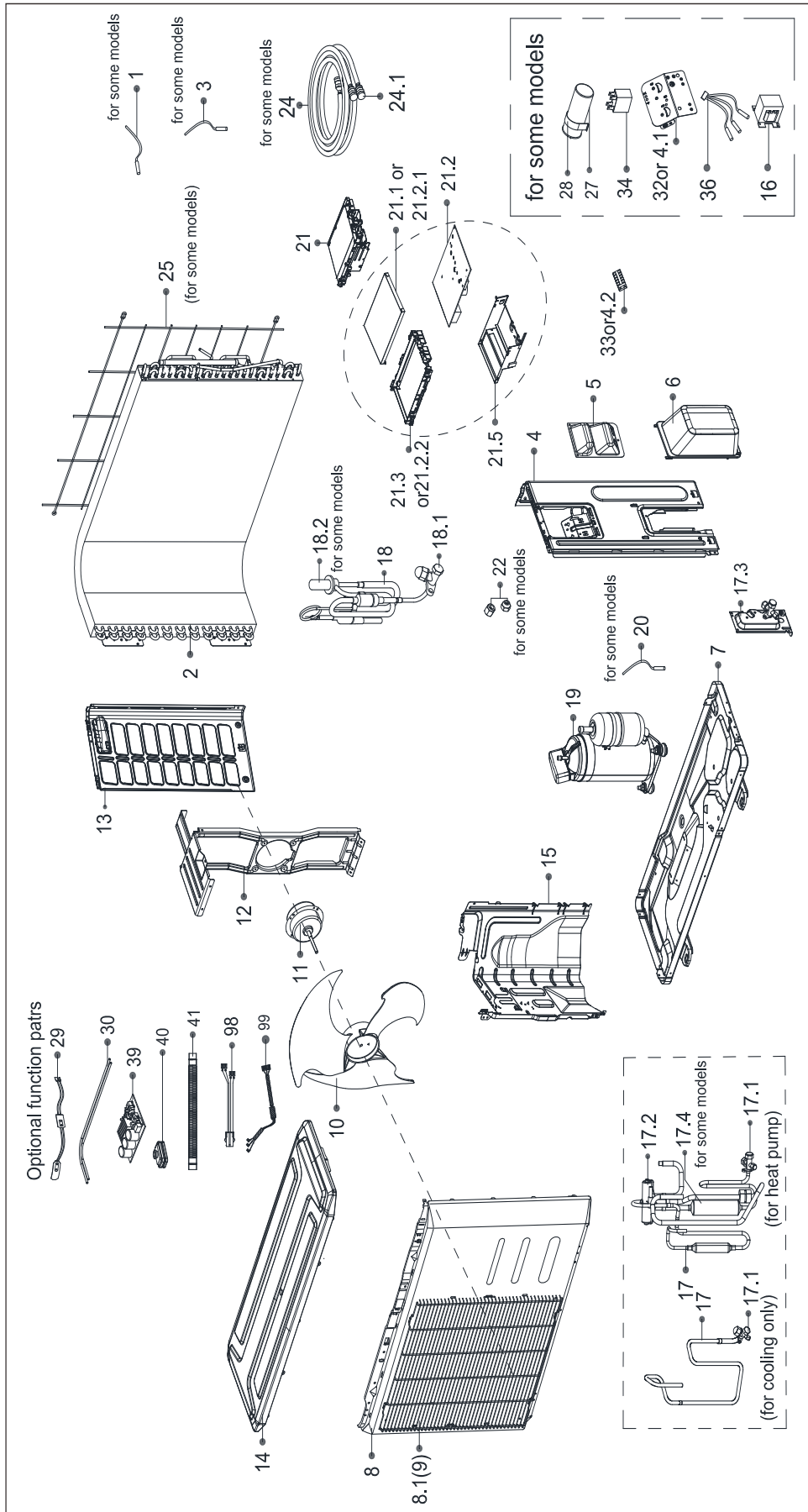
MARS®
Delivering Confidence

REPLACEMENT PARTS LIST

Single Zone Inverter Mini-Split Outdoor Condenser

A-DVH12SG-1

EXPLODED VIEW



REPLACEMENT PARTS

Location	Part Name	Quantity	Part No.
2	Condenser assembly	1	15822000008251
4	Right clapboard assembly	1	12222000005745
5	Big handle assembly	1	12222000010966
6	Water collector	1	12122000007150
7	Chassis assembly	1	12222000005062
8	Front panel assembly	1	12222000004463
9	Air outlet grille	1	12222000007424
10	Axial flow fan	1	12100105000003
11	Brushless DC Motor	1	11002015008264
12	Supporter subassembly of fan motor	1	12222000009444
13	Left side plate assembly of cabinet	1	12222000008484
14	Top cover assembly	1	12222000002451
15	Partition board assembly	1	12222000003984
17	4-way valve assembly	1	15422000018294
17.1	Gas valve	1	15500204000058
17.2	4-way valve	1	15500216000028
17.3	Valve plate	1	12222000002571
17.4	Muffler subassembly	1	15122000026896
18	Liquid valve assembly	1	15422000004913
18.1	Liquid valve	1	15500208000028
19	DC Inverter rotary compressor	1	11103020005082
21	Electronic control box subassembly	1	17222000029825
21.2	Outdoor main control board subassembly	1	17122000044663
21.2.1	Cover of electronic control box	1	12222000001455
21.2.2	Support of electronic control box	1	12122000006913
21.5	Electronic installing box subassembly	1	12222000001311
22	Copper nut	1	15500406000012
22	Copper nut	1	15500406000016
25	Rear net	1	12222000003622
29	Crankcase electric heating strip	1	17402001000600
30	Electric heating tube	1	17402002000464
32	Terminal board	1	12222000002259
33	Terminal	1	17400401000075
36	Combination Sensor	1	11201011000067
41	Drain pipe	1	12100509000059
99	Compressor wire subassembly	1	17401203000802

Due to ongoing product improvements, specifications and dimensions are subject to change and correction without notice or incurring obligations. Determining the application and suitability for use of any product is the responsibility of the installer. Additionally, the installer is responsible for verifying dimensional data on the actual product prior to beginning any installation preparations.

Incentive and rebate programs have precise requirements as to product performance and certification. All products meet applicable regulations in effect on date of manufacture; however, certifications are not necessarily granted for the life of a product. Therefore, it is the responsibility of the applicant to determine whether a specific model qualifies for these incentive/rebate programs.

Comfort-Cire®  **Century**®

1900 Wellworth Ave., Jackson, MI 49203 • Ph. 517-787-2100 • www.marsdelivers.com



Comfort-Aire®

Century®

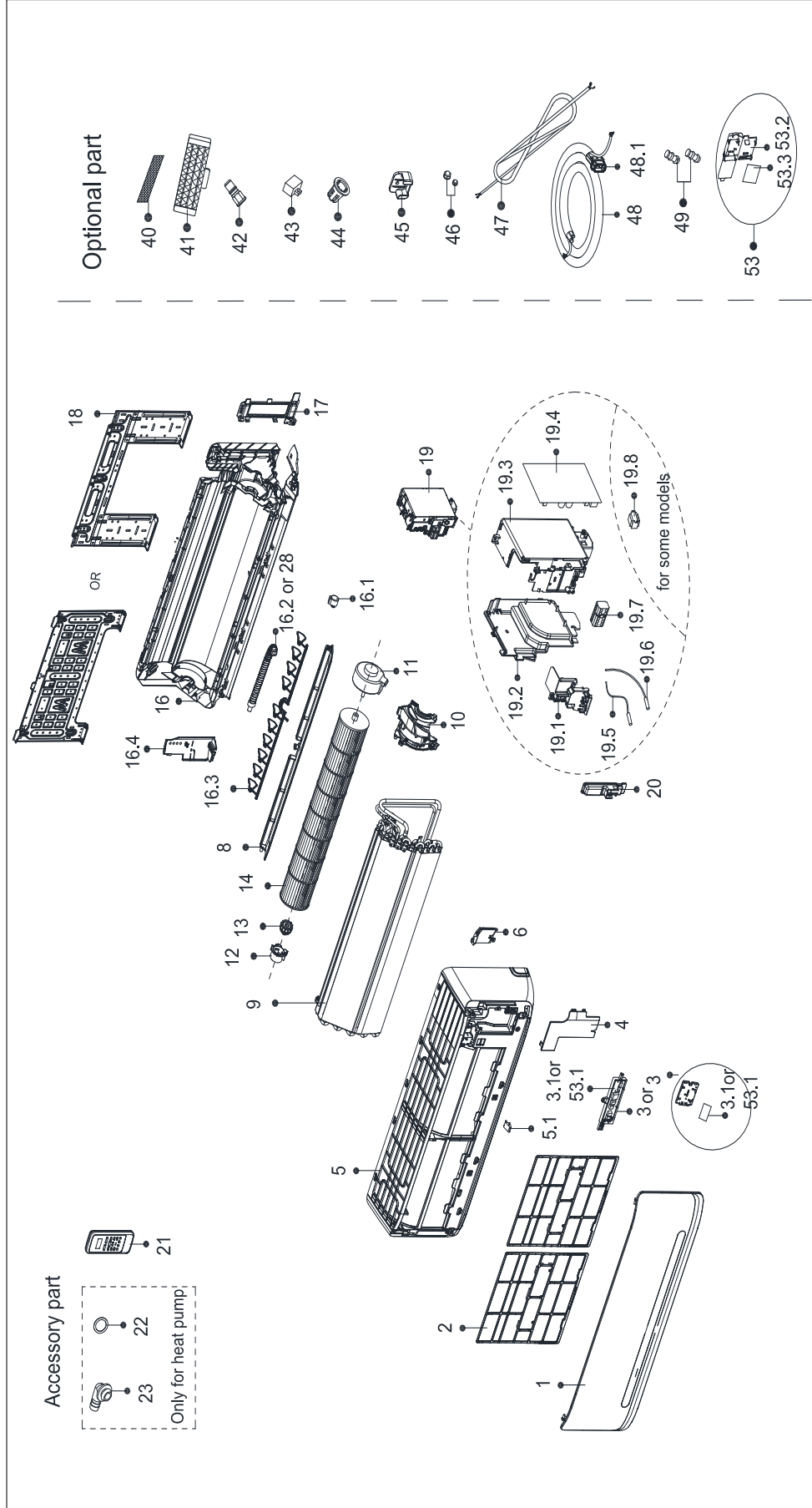
MARS®
Delivering Confidence

REPLACEMENT PARTS LIST

**Single Zone Inverter Mini-Split
Indoor Air Handler**

B-DVH12SG-1

EXPLODED VIEW



REPLACEMENT PARTS

Location	Part Name	Quantity	Part No.
1	Panel assembly	1	12122000A75690
2	Filter filter subassembly	2	12100204000522
4	Cover of electrical equipment	1	12122000006755
5	Panel frame assembly	1	12122000001726
5.1	Screw Cap	1	12122000009477
6	Front cover of chassis(right)	1	12122000004587
8	Horizontal louver assembly	1	12122000005815
9	Evaporator assembly	1	15822000008189
10	Fan motor cover	1	12122000005540
11	Brushless DC Motor	1	11002015000051
12	Bearing holder	1	12122000000350
13	Bearing base	1	12622000000006
14	Cross flow fan	1	12100102000044
16	Chassis assembly	1	12122000011818
16.1	Stepper motor	1	11002010000143
16.3	Vertical vane subassembly	1	12122000000038
16.4	Front cover of chassis(left)	1	12122000010098
17	pipe clamp board	1	12122000012943
18	Installation plate	1	12222000A00811
19	Electronic control box subassembly (Mid-and low-end)	1	17222000028160
19.1	Electronic control box	1	12122000004577
19.2	Left cover of electronic control box	1	12122000004639
19.3	Right cover of electronic control box	1	12122000004632
19.4	Main control board subassembly	1	17122000044667
19.5	Room temperature sensor	1	11201007003424
19.6	Pipe Temperature Sensor	1	11201007003447
19.7	Terminal	1	17400401000006
20	Cover of electronic control box	1	12122000005020
21	Remote controller	1	17317000A51872
22	seal ring	1	12600701000039
23	Drain hose	1	12100509000061
28	Drain hose	1	12100501000032
40	Air freshening filter	2	12100206000056
42	Check valve	1	15500209000001
45	Bracket of remote Controller	1	12122000027147
46	Copper nut	1	15500406000016
46	Copper nut	1	15500406000012
53	Display box subassembly	1	17222000A07041
53.1	Display board subassembly	1	17122000A07845
53.2	Display box	1	12122000A03192

Due to ongoing product improvements, specifications and dimensions are subject to change and correction without notice or incurring obligations. Determining the application and suitability for use of any product is the responsibility of the installer. Additionally, the installer is responsible for verifying dimensional data on the actual product prior to beginning any installation preparations.

Incentive and rebate programs have precise requirements as to product performance and certification. All products meet applicable regulations in effect on date of manufacture; however, certifications are not necessarily granted for the life of a product. Therefore, it is the responsibility of the applicant to determine whether a specific model qualifies for these incentive/rebate programs.

Comfort-Cire®  **Century**®

1900 Wellworth Ave., Jackson, MI 49203 • Ph. 517-787-2100 • www.marsdelivers.com

